

## West 6100+, 8100+ & 4100+ Temperature & Process Controllers



- Jumperless Configuration
- Auto Detected Hardware
- Process & Loop Alarms
- Modbus & ASCII Comms
- Auto or Manual Tuning
- Heat/Cool Operation
- Ramping Setpoint
- Remote/Dual Setpoint Options
- Available in 1/16, 1/8 & 1/4 DIN Formats



With their improved interface, technical functionality and field flexibility, the West 6100+, 8100+ and 4100+ give you the best in comprehensive control for most temperature and process control loops.

### Specification

#### Features

Control Types	Full PID with Pre-tune, Self-tune, manual tuning, or On-Off control. Heat only or heat & cool
Auto/Manual	Selectable from front panel or via digital input, with bumpless transfer
Output Configuration	Up to 3 possible, for control, alarm, 24VDC transmitter power supply or retransmit of process value or setpoint
Alarm 1 & 2 Types	Process high, process low, SP deviation, band, logical OR / AND. Also 1 loop alarm for process control security. Process alarms have adjustable hysteresis.
Human Interface	4 button operation, dual 4 digit 10mm & 8mm high (6100+, 8100+) and 13mm & 10mm high (4100+) LED displays, optional choice of colours (Red/Red, Red/Green, Green/Red or Green/Green), plus 5 LED indicators
PC Configuration	Off-line configuration from PC serial port to dedicated config socket (comms option not required). Configuration Software for Windows 98 or higher. West Part Number: PS1-CON

#### Input

Thermocouple	J, K, C, R, S, T, B, L, N & PtRh20%vsPtRh40%.
RTD	3 Wire PT100, 50Ω per lead maximum (balanced)
DC Linear	0 to 20mA, 4 to 20mA, 0 to 50mV, 10 to 50mV, 0 to 5V, 1 to 5V, 0 to 10V, 2 to 10V. Scaleable -1999 to 9999, with adjustable decimal point
Impedance	>10MΩ for Thermocouple and mV ranges, 47KΩ for V ranges and 5Ω for mA ranges
Accuracy	±0.1% of input range ±1 LSD (T/C CJC better than 1°C)
Sampling	4 per second, 14 bit resolution approximately
Sensor Break Detection	<2 seconds (except zero based DC ranges), control O/P's turn off, high alarms activate for T/C and mV ranges, low alarms activate for RTD, mA or V ranges

#### Outputs & Operations

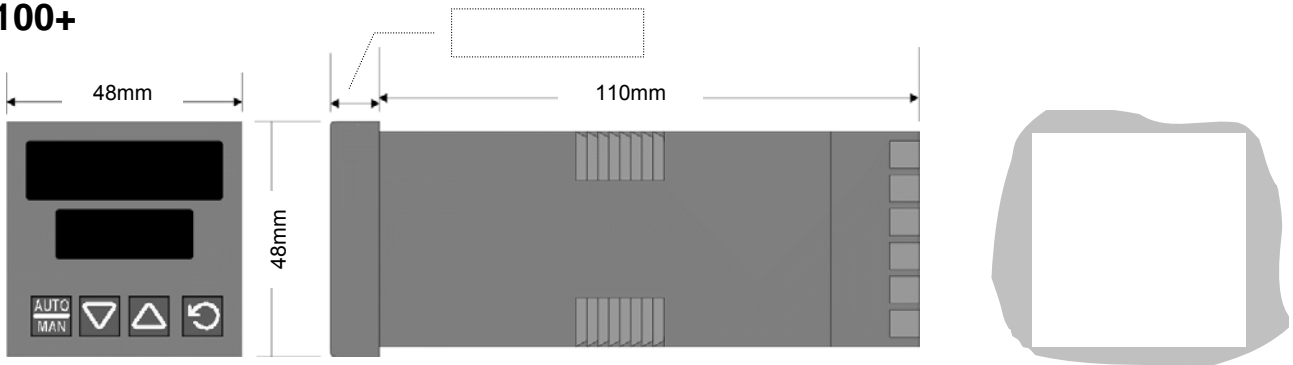
Control & Alarm Relays	Contacts SPDT 2 Amp resistive at 240V AC, >500,000 operations
Control SSR Driver Outputs	Drive capability >10V DC in 500 minimum
Triac Outputs	0.01 to 1 Amp AC, 20 to 280Vrms, 47 to 63Hz
DC Linear Outputs	0 to 20mA, 4 to 20mA into 500Ω max, 0 to 10V, 2 to 10V, 0 to 5V into 500Ω min. Control outputs have 2% over/under drive applied. Accuracy ±0.25% at 250Ω (degrades linearly to 0.5% for increasing burden to specified limits)
Transmitter Power Supply	Output 24VDC (nominal) into 910Ω minimum to power external devices
Communications	2 Wire RS485, 1200 to 19200 Baud, Modbus and ASCII protocol (selectable)
Digital Input	Selects between 2 setpoints or Auto/Manual control. Volt free or TTL input
Remote Setpoint Input	0 to 20mA, 4 to 20mA, 0 to 5V, 1 to 5V, 0 to 10V or 2 to 10V. Scaleable -1999 to 9999. Local/Remote setpoint selected from front panel

### Operating & Environmental

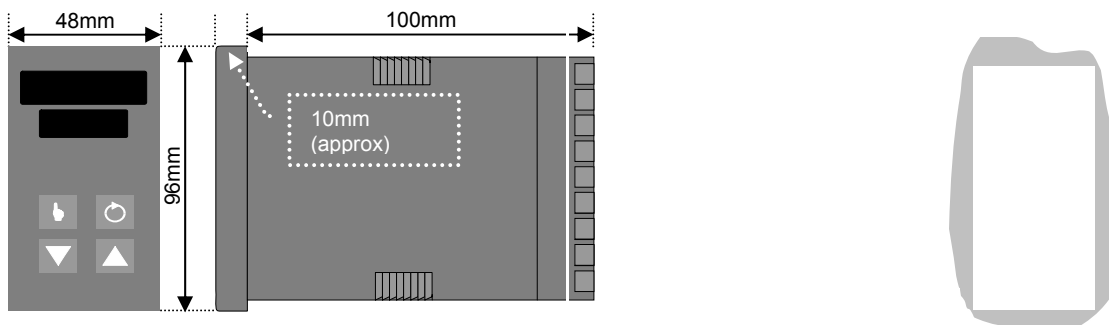
Temperature & RH	0 to 55°C (-20 to 80°C storage), 20% to 95% RH non-condensing
Power Supply	100 to 240V 50/60Hz 7.5VA (optional 20 to 48V AC 7.5VA/22 to 65V DC 5 watts)
Front Panel Protection	IEC IP66
Standards	CE, UL & ULC recognised

### Dimensions

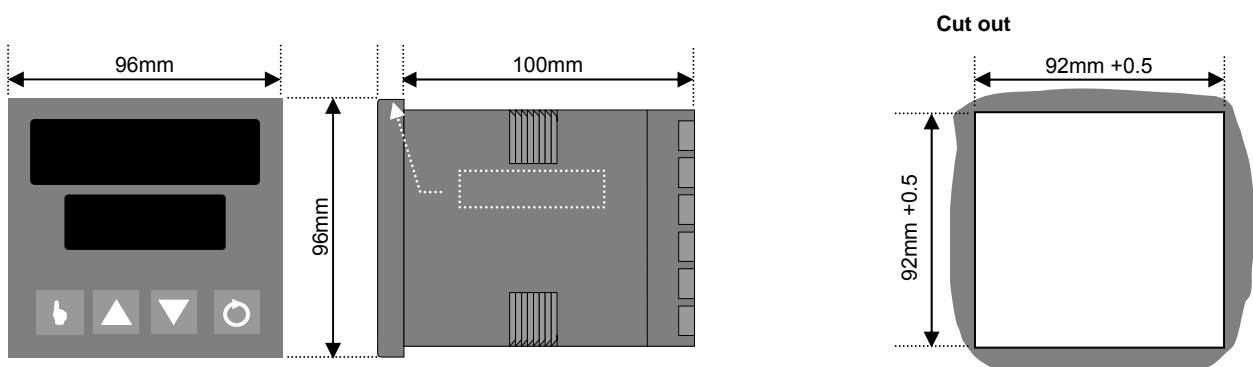
#### 6100+



#### 8100+



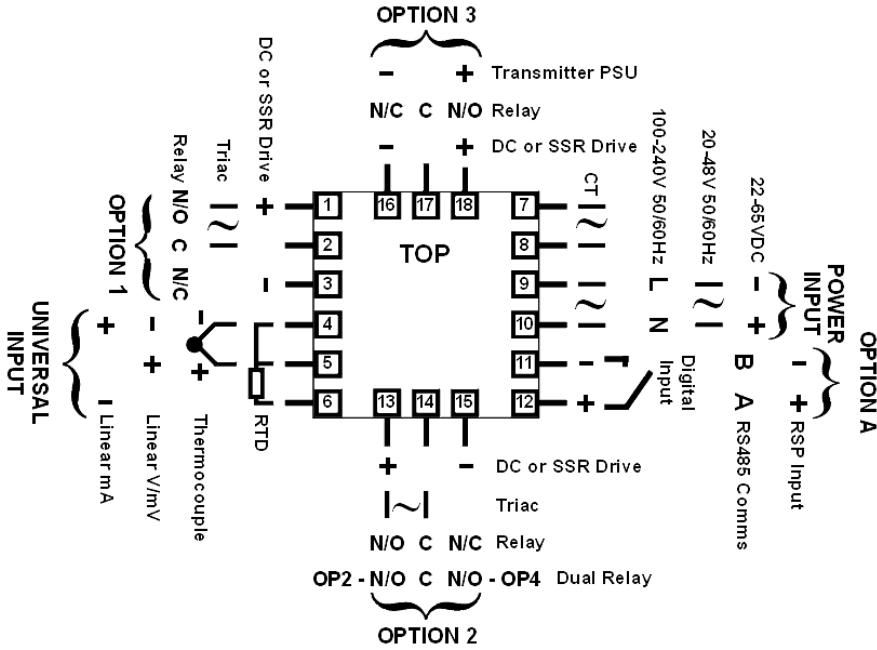
#### 4100+



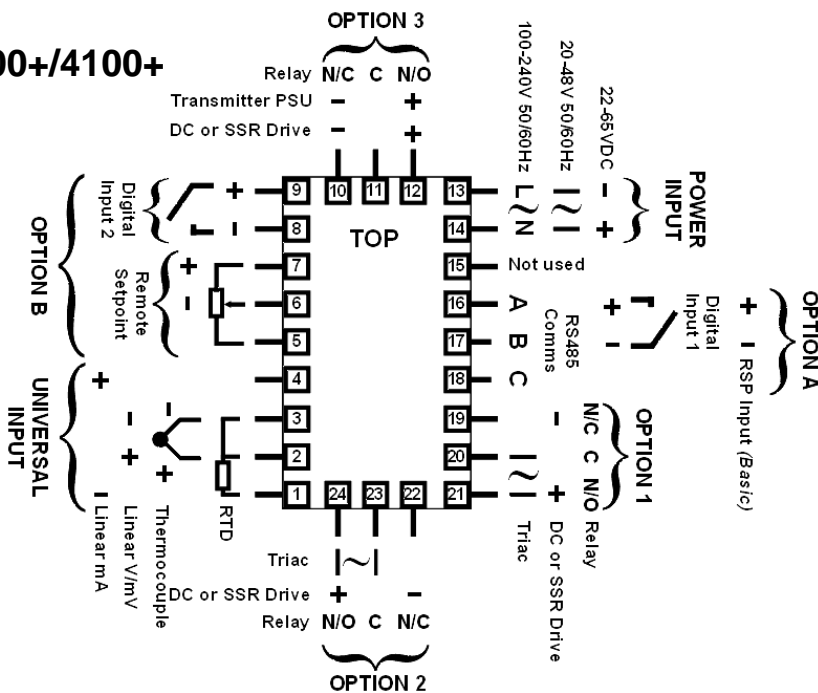
## Wiring Connections

### 6100+

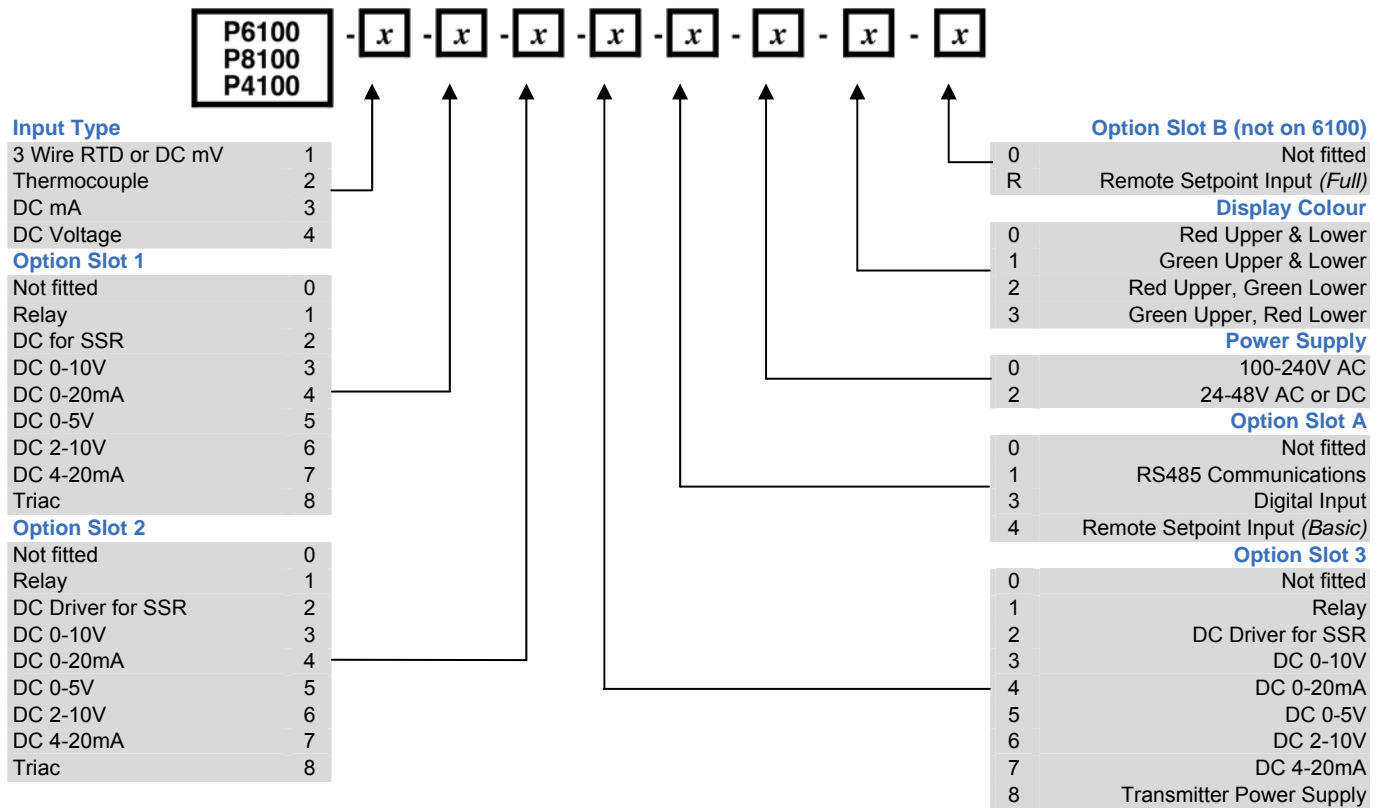
Field Reconfiguration



### 8100+/4100+



## Ordering Code



## West Control Solutions – International Sales and Support

### CHINA

Danaher Setra-ICG (Tianjin Co., Ltd.  
No.28 Wei 5 Road,  
The Micro-Electronic Industry Park TEDA,  
Xiqing District, Tianjin 300385  
Tel: +86 22 8398 8098 Fax: +86 22 8398 8099  
Sales Hotline: 400 666 1802  
e-mail: tc.sales@danaher.com

### GERMANY

PMA Prozeß- und, Maschinen- Automation GmbH,  
Miramstraße 8, 7D -34123 Kassel  
Tel: +49 (561) 505-1307 Fax: +49 (561) 505-1710  
e-mail: mailbox@pma-online.de

### USA

West Control Solutions  
1675 Delany Road, Gurnee, IL 60031-1282  
Tel: 800 866 6659 Fax: 847 782 5223  
e-mail: custserv.west@dancon.com

### FRANCE

Hengstler SA, 69 Rue de la Belle Etoile  
Bat D - ZI Paris Nord II, 95700, Roissy  
Tel: +33 (1) 77 80 90 40 Fax: +33 (1) 77 80 90 50  
e-mail: info@westinstruments.com

### UNITED KINGDOM

West Control Solutions  
The Hyde Business Park, Brighton, East Sussex, BN2 4JU  
Tel: +44 (0)1273 606271 Fax: +44 (0)1273 609990  
e-mail: info@westinstruments.com

Brochures and datasheets are available for the complete range of West Control Solutions products, contact your local sales office or visit our website at: [www.west-cs.com](http://www.west-cs.com) for more information.

Specifications are subject to change without notice, as a result of continual development and improvement, E&OE