

**pH/ REDOX ELECTRODES FOR
ULTRA-PURE/ DE-IONIZED WATER APPLICATION
Model TPURE-ECO**



Membrane Glass: A wide selection of different pH-sensitive glass membranes (Blue) ensures the best possible measurement performance, based on the application for Low pH/ HF applications/ Full Range/ High Alkaline etc.

Reference Fill & Construction: These electrodes are sealed with HGel+ solutions.

Temperature Compensation (Built In): The inbuilt temperature elements allow for the automatic compensation of Nernstian temperature effects in processes with wide pH ranges and significant temperature shifts. The temperature element is either a Pt100 or Pt1000 or 30K NTC, which are compatible with the majority of commercially available instruments.

Solution Ground: The Solution Ground (optional) feature as a measuring point on a pH sensor improves grounding and effectively eliminates the risk of electrostatic interference. This also allows the use of our advanced diagnostic functions, and makes parallel pH/redox measurement possible.

Reference System: The sensor is provided with a SREF+ or Ag/AgCl reference system.

Connections: The Cap/ Threaded Cap* (TC)/ Variopin (V)/ S8/ S7 etc. connections allows for a multiple connection suiting different needs; both pH signal and temperature signal in the same wiring harness.

pH & Redox: The TPURE-ECO family of pH and Redox electrodes are ideal for lower conductivity water applications.

TOSHNIWAL INSTRUMENTS MANUFACTURING PVT. LTD.,

P.O. Gagwana - 305023, Distt. Ajmer (Raj.) INDIA

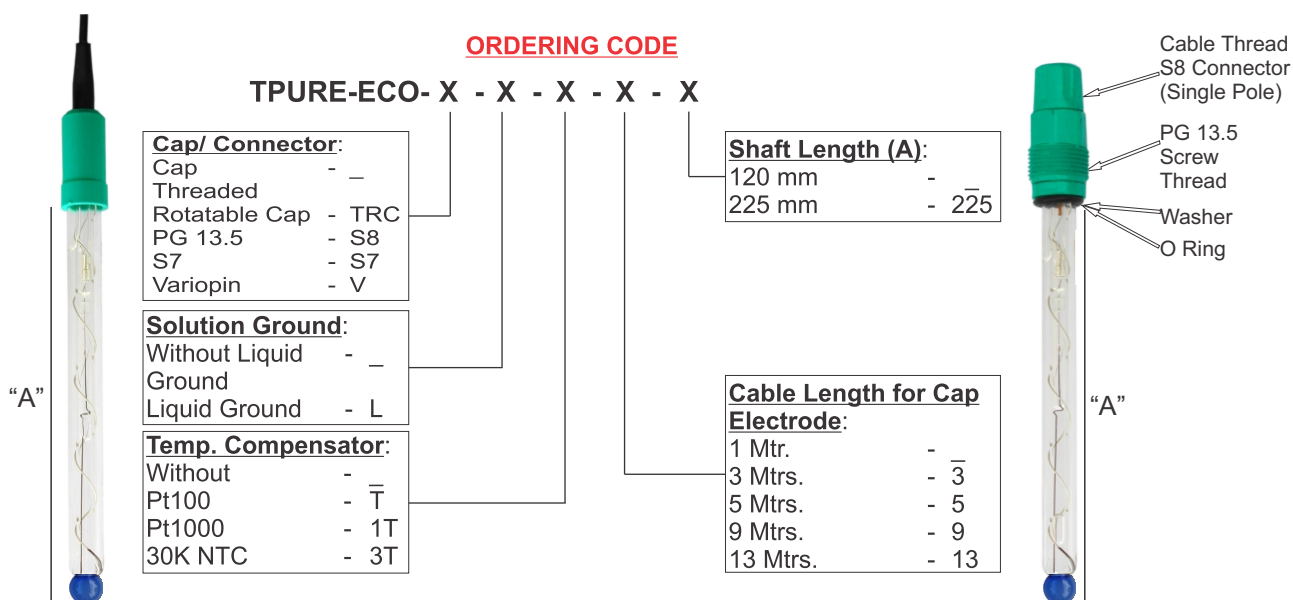
Phone: +91-145-2971131/2/3; Mobile: +91-9829112345

Email: info@toshcon.com, support@toshcon.com; Website: www.toshcon.com

REGD OFFICE: 401, Manish Chamber, Sonawala Cross Lane, Goregaon (E), MUMBAI - 400 063

TECHNICAL SPECIFICATIONS:

1. pH Range : 0 - 12
2. Operating Temperature : -5 to 80°C
3. Slope : 59 ±3 mV at 25°C
4. Zero Point : pH 7
5. Asymmetry Potential : 0±25 mV
6. No. of Junctions : Single
7. Glass Membrane Impedance : <300 MΩ at 25°C
8. Membrane Glass : Blue
9. Temp. Compensation : Pt100/ Pt1000/ 30K NTC
10. Pressure : Up to 3 Bar
11. Reference Electrolyte : HGel+
12. Diaphragm, Nos. : Ceramic, Three
13. Reference System : SREF+ or Ag/AgCl
14. pH Storage Solution : Saturated KCl/ TOSHCON storage solution
15. Shape of Membrane : Big Spherical
16. Diameter : 12 mm
17. Shaft Length (A) : 120 mm
18. Shaft Material : Glass
19. O Ring : EPDM (in case of S8/ S7/ VP connectors etc.)
20. Connector type : Cap/TC* with BNC with Low-Noise Coaxial Cable or S8 (PG 13.5)/ S7 or Variopin (V) or any other connector requested.
21. Solution Ground : Optional
22. Suitability : Suitable/ compatible with mostly all make instruments.



OTHER INDUSTRY:

Pharma, Petrochemical, Swimming Pools, Aquarium, Electroplating, Food, Chemical, Fertilizer, Dairy, Oil, Drinking Water, Ground Water, Waste Water

OTHER APPLICATIONS:

Extreme pH (Acidic), Extreme pH (Alkali), Narrow Vessel/ Semi Micro, Low Ionic/ Ultrapure, Oil/ Water Emulsion, HF, Low Temp. (-30°C), High Temp. (135°C), Steam Sterilisable

TOSHNIWAL INSTRUMENTS MANUFACTURING PVT. LTD.,

P.O. Gagwana - 305023, Distt. Ajmer (Raj.) INDIA

Phone: +91-145-2971131/2/3; Mobile: +91-9829112345

Email: info@toshcon.com, support@toshcon.com; Website: www.toshcon.com

REGD OFFICE: 401, Manish Chamber, Sonawala Cross Lane, Goregaon (E), MUMBAI - 400 063